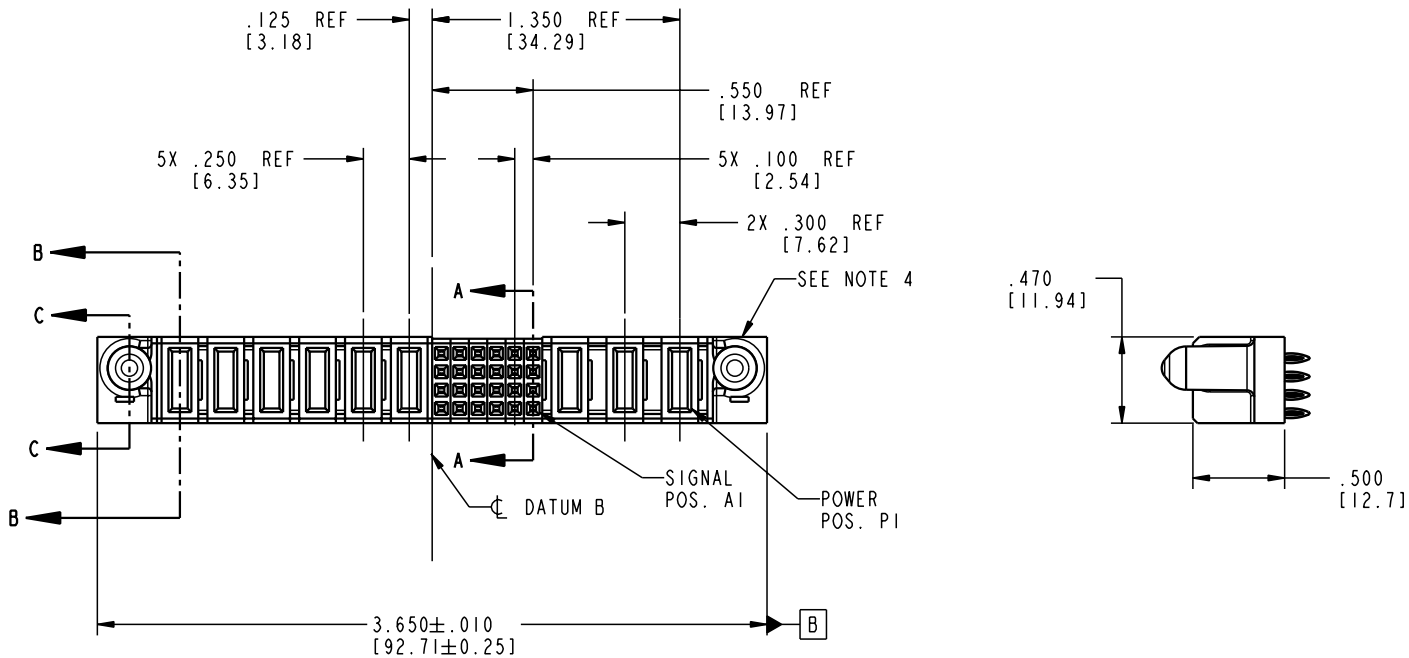


Tous droits strictement réservés. Reproduction ou communication a des tiers interdite sous quelque forme que ce soit sans autorisation écrite du propriétaire. Propriété de c FCI. Droits de reproduction FCI.



All rights strictly reserved. Reproduction or issue to third parties in any form whatever is not permitted without written authority from the proprietor. Property of FCI. Copyright FCI.

PRODUCT NO.	ROWS	POWER						SIGNAL					POWER			E1		
		E2	P9	P8	P7	P6	P5	P4	6	5	4	3	2	1	P3		P2	P1
51940-047	D C B A		PF	PF	PF	PF	PF	PF	PF	PF	PF	PF	PF	PF	PF	PF	PF	



CODE	DIM "M" MATING LENGTH	CONTACT TYPE
PF	.092 [2.34]	POWER
F	N/A [N/A]	SIGNAL
PC	.042 [1.07]	POWER

mat'l code		SEE NOTE 2		tolerances unless otherwise specified		CUSTOMER		www.fciconnect.com	
ltr	ecn no.	dr	date	linear	.XX±.01/0.X±0.3	projection	title 3ACP + 24S + 6P		
A	V03-0705	MEM	6/25/03	angles	.XXX±.005/0.XX±0.13		VERTICAL PRESS FIT RECEPT		
				dr	.XXX±.0020/0.XXX±0.051	INCH/MM	product family	PwrBlade	code
				engr	0°±2°	scale	size	dwg no	sheet
				chr		1:1	A	51940-047	213
				appd					1 of 4
sheet index	revision	A	A	A	A				
	sheet	1	2	3	4				

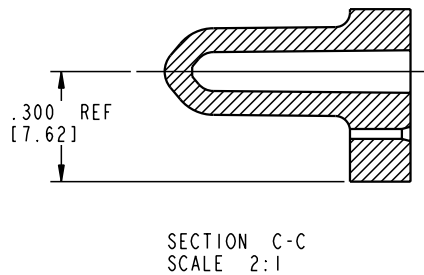
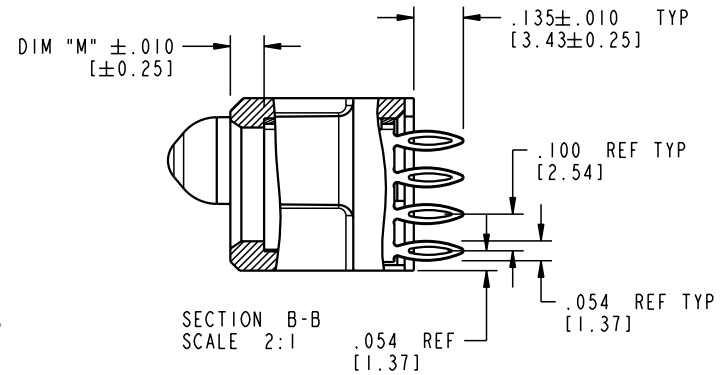
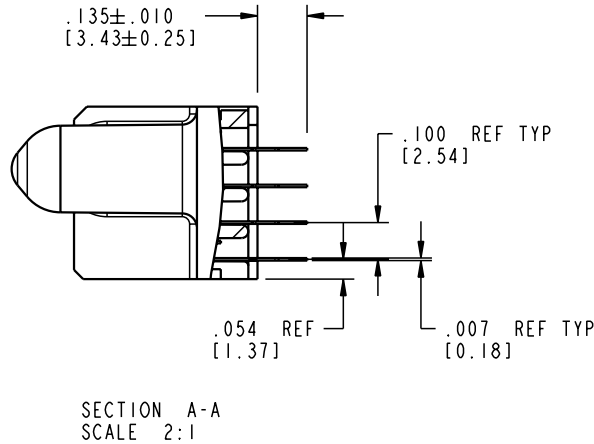
cage code 22526

Pro/E

Tous droits strictement réservés. Reproduction ou communication a des tiers interdite sous quelque forme que ce soit sans autorisation écrite du propriétaire. Propriété de c FCI. Droits de reproduction FCI.

All rights strictly reserved. Reproduction or issue to third parties in any form whatever is not permitted without written authority from the proprietor. Property of FCI. Copyright FCI.

PRODUCT NUMBER
51940-047



mat'l code				SEE NOTE 2		tolerances unless otherwise specified		CUSTOMER		 www.fciconnect.com	
ltr	ecn no.	dr	date	linear	.XX±.01/0.X±0.3	projection		COPY		title	
A				linear	.XXX±.005/0.XX±0.13			A		3ACP + 24S + 6P	
				angles	.XXX±.0020/0.XX±0.051			INCH/MM		VERTICAL PRESS FIT RECEIPT	
				dr	0°±2°			scale		product family	
				engr	W. MOSTOLLER 6/25/03	1:1		A		PwrBlade code	
				chr	H. BREWBAKER 6/25/03			size		213	
				appd	W. MOSTOLLER 6/25/03			dwg no		sheet	
sheet index		revision sheet						A		2 of 4	
								51940-047			

cage code 22526

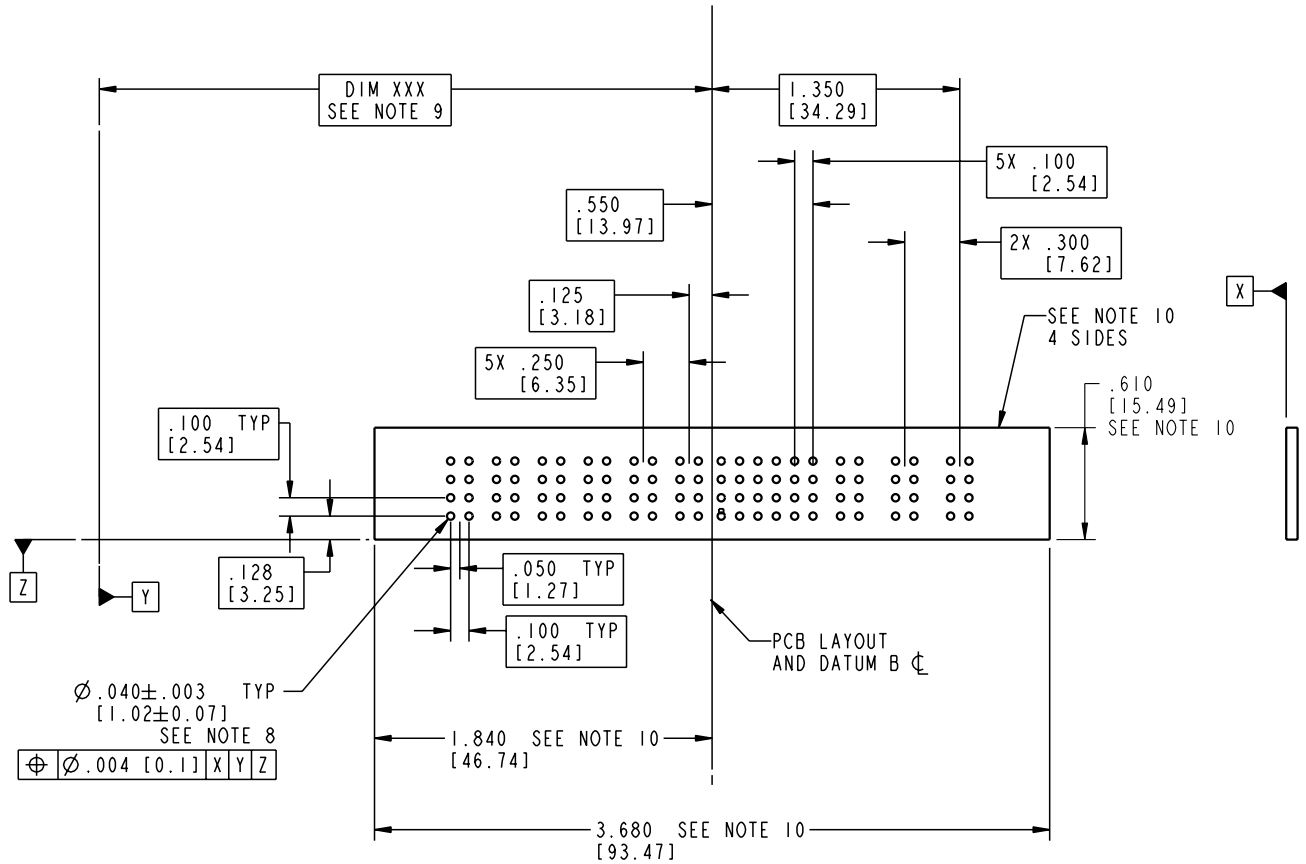
Pro/E

Tous droits strictement réservés. Reproduction ou communication a des tiers interdite sous quelque forme que ce soit sans autorisation écrite du propriétaire. Propriété de c FCI. Droits de reproduction FCI.

FCI

All rights strictly reserved. Reproduction or issue to third parties in any form whatever is not permitted without written authority from the proprietor. Property of FCI. Copyright FCI.

PRODUCT NUMBER
51940-047



mat'l code		SEE NOTE 2		tolerances unless otherwise specified		CUSTOMER		FCI www.fciconnect.com	
ltr	ecn no.	dr	date	linear	.XX±.01/0.X±0.3	COPY		title	
A				linear	.XXX±.005/0.XX±0.13	projection		3ACP + 24S + 6P	
				angles	.XXX±.002/0.XX±0.051	INCH/MM		VERTICAL PRESS FIT RECEPT	
				dr	0°±2°	scale		product family PwrBlade code	
				engr	W. MOSTOLLER 6/25/03	1:1		size dwg no 213	
				chr	H. BREWBAKER 6/25/03			sheet	
				appd	W. MOSTOLLER 6/25/03			3 of 4	
sheet index	revision sheet								

cage code 22526

Pro/E

Tous droits strictement réservés. Reproduction ou communication a des tiers interdite sous quelque forme que ce soit sans autorisation écrite du propriétaire. Propriété de c FCI. Droits de reproduction FCI.



All rights strictly reserved. Reproduction or issue to third parties in any form whatever is not permitted without written authority from the proprietor. Property of FCI. Copyright FCI.

PRODUCT NUMBER
51940-047

NOTES:

1. DIMENSIONS AND TOLERANCES ARE IN ACCORDANCE WITH ASME Y14.5M, 1994 UNLESS OTHERWISE SPECIFIED.

CONNECTOR NOTES:

2 HOUSING MATERIAL: UL 94 V-0 GLASS FILLED

HIGH-TEMP THERMOPLASTIC
POWER CONTACT MATERIAL: COPPER ALLOY
SIGNAL PIN MATERIAL: COPPER ALLOY

3. PLATING:
SIGNAL PINS: 30u"/0.76um Au OVER 50u"/1.27um Ni
POWER CONTACTS: 50u"/1.27um Ni UNDER ALL WITH 30u"/0.76um Au ON CONTACT AREA AND SnPb ON PCB INTERFACE

4 MANUFACTURER'S NAME, P/N, AND DATE CODE TO APPEAR ON THIS SURFACE.

5. PRODUCT SPECIFICATION GS-12-149.
APPLICATION SPECIFICATION BUS-20-067.

PCB NOTES:

6. ALL HOLE DIAMETERS ARE FINISHED HOLE SIZE.
7. MOUNTING HOLES, WHERE APPLICABLE, ARE UNPLATED.

8 $\varnothing .0453 \pm .0010$ [1.151 \pm 0.025] DRILLED HOLES PLATED WITH .0003 [0.008] MIN SnPb OVER .001 [0.03] TO .003 [0.08] Cu PLATING TO ACHIEVE $\varnothing .040 \pm .003$ [1.02 \pm .07] HOLE.

9 "DIM XXX" TO BE DETERMINED BY THE CUSTOMER.

10 CONNECTOR KEEP-OUT ZONE.

mat'l code				SEE NOTE 2		tolerances unless otherwise specified		CUSTOMER		 www.fciconnect.com	
ltr	ecn no.	dr	date	linear	.XX±.01/0.X±0.3		COPY		title		
A					.XXX±.005/0.XX±0.13		projection		3ACP + 24S + 6P		
				angles	.XXX±.0020/0.XXX±0.051				VERTICAL PRESS FIT RECEPT		
				dr	M. MOSTOLLER	6/25/03	INCH/MM		product family		code
				engr	M. MOSTOLLER	6/25/03	scale		PwrBlade		213
				chr	H. BREWBAKER	6/25/03	1:1		size		sheet
				appd	M. MOSTOLLER	6/25/03			A		4 of 4
sheet index		revision sheet									

cage code 22526

Pro/E